



CAVITY SHIELDTM

A new product line by AV Metals

Passive fire protection for building wall cavities, designed to meet the highest industry standards.

Fire Rated to standards of A2-s1, d0 or better.

 **METALS**



<https://www.av-metals.co.uk>



AV Metals, Bradley Fold, Radcliffe,
Bolton BL2 6RT



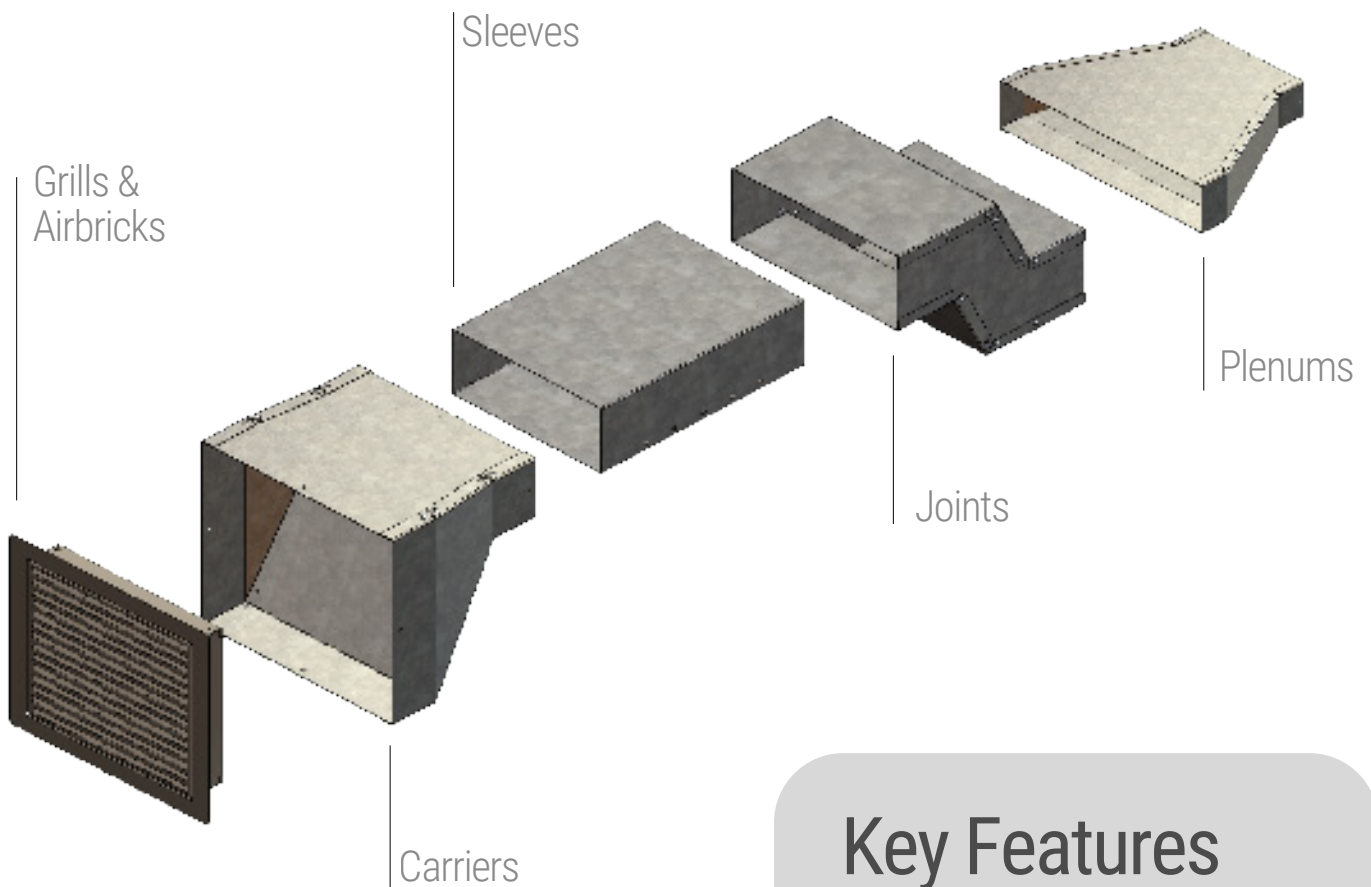
01204 257007



sales@av-metals.co.uk

Complete System Solutions

The AV Metals Cavity Shield range offers a complete selection of fire rated ventilation products designed for cavity wall applications. Engineered for seamless integration, the system ensures optimal airflow while maintaining passive fire protection.



With a combination of airbricks, carriers, duct sleeves, and plenums, Cavity Shield offers a versatile and compliant solution for modern ventilation needs.

Key Features

- 0.9mm Galvanised Steel Construction
- Fire-Rated Architectural Powder Coating
- Powder Coat colours available on request
- Optional fire safe mastic sealing available
- Strong, durable, and corrosion-resistant.
- Versatile Sizing & Bespoke Designs

HIGH PERFORMANCE VENTILATION PRODUCTS

WHERE FIRE
RESISTANCE AND
ADJUSTABILITY ARE
CRITICAL.

AV Metal's Cavity Shield is a range of high-performance ventilation products, engineered for full compliance with regulatory standards of A2-s1, d0 or better.

Designed for applications where fire resistance and adjustability are critical, our solutions ensure safety without compromise.

**FIRE
RESISTANT**

CERTIFIED FIRE PERFORMANCE

High resistance to fire, designed to comply with A2-s1, d0 or better. Constructed from sheet steel (A1) and polyester powder coated for durability.

COMPLIANT

REGULATORY COMPLIANCE

Fully compliant with the latest fire safety regulations, including Approved Document B. Meets industry standards for fire-rated ventilation products.

**BESPOKE
DESIGN**

CUSTOM SOLUTIONS

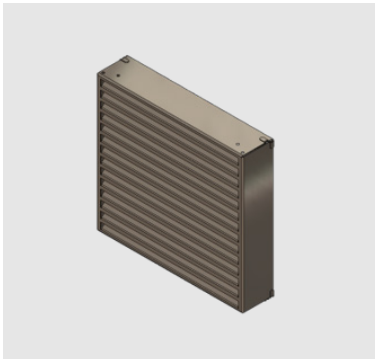
Available in bespoke sizes and designs to meet specific project needs. Rapid prototyping for tailored solutions.

**AIRFLOW
EFFICIENT**

OPTIMISED VENTILATION

Designed for low resistance to airflow while maintaining fire protection. Ensures energy-efficient performance in various building environments.

AIR BRICK



DESCRIPTION

Our Cavity Shield Airbrick is designed to provide essential airflow through external walls while maintaining the integrity of passive fire protection.

KEY FEATURES

- 0.9mm Galvanised Steel Construction
- Fire-Rated Architectural Powder Coating
- Powder Coat colours available on request
- 25mm bezel all-round (if needed).

SPECIFICATION			DIMENSIONS (mm)		
CODE	TYPE	FLANGE	WIDTH	HEIGHT	DEPTH
001	SINGLE	-	215	60	45
002	SINGLE	FLANGED	215	60	45
003	DOUBLE	-	215	135	45
004	DOUBLE	FLANGED	215	135	45
005	TRIPLE	-	215	202	45
006	TRIPLE	FLANGED	215	202	45

VER-BRICK



DESCRIPTION

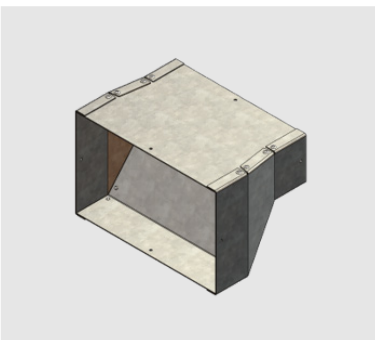
Designed for use where traditional horizontal airbricks are unsuitable, the Ver-Brick offers reliable airflow with minimal visual impact.

KEY FEATURES

- 0.9mm Galvanised Steel Construction
- Fire-Rated Architectural Powder Coating
- Powder Coat colours available on request
- 25mm bezel all-round (if needed).

SPECIFICATION			DIMENSIONS (mm)		
CODE	TYPE	FLANGE	WIDTH	HEIGHT	DEPTH
007	SINGLE	-	85	215	45
008	SINGLE	FLANGED	85	215	45
009	DOUBLE	-	160	215	45
010	DOUBLE	FLANGED	160	215	45
011	TRIPLE	-	235	215	45
012	TRIPLE	FLANGED	235	215	45

HORIZONTAL CARRIER



DESCRIPTION

The Cavity Shield Horizontal Airbrick Carrier is designed to provide secure support and alignment for airbricks installed in horizontal

KEY FEATURES

- 0.9mm galvanised steel construction
- Steel rivet assembly
- Optional fire safe mastic sealing
- Supports horizontal airbrick installation

SPECIFICATION			DIMENSIONS (mm)		
CODE	TYPE	Size (mm)	WIDTH	HEIGHT	DEPTH
013	SINGLE	204x60	223	67	150
014	SINGLE	220x90	223	67	150
015	DOUBLE	204x60	223	143	150
016	DOUBLE	220x90	223	143	150
017	TRIPLE	204x60	223	210	175
018	TRIPLE	220x90	223	210	175

DUCT BUTT



DESCRIPTION

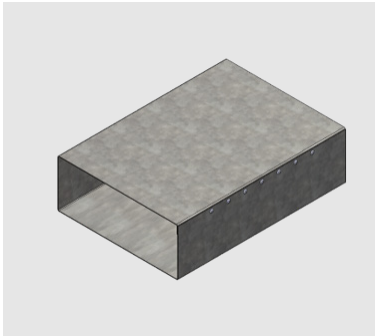
The Cavity Shield Duct Butt Joint is a size-for-size connector designed to seamlessly join sections of ductwork without altering dimensions.

KEY FEATURES

- Seamless Fit with ducts
- Durable - 0.9mm galvanised steel, corrosion-resistant.
- Efficient Airflow
- Versatile Sizing – 204x60mm and 220x90mm

SPECIFICATION			DIMENSIONS (mm)		
CODE	SIZE	LENGTH	WIDTH	WIDTH	WIDTH
025	204x60	300	204	60	300
026	204x60	500	204	60	500
027	204x60	750	204	60	750
028	204x60	1000	204	60	1000
029	220x90	300	220	90	300
030	220x90	500	220	90	500
031	220x90	750	220	90	750
032	220x90	1000	220	90	1000

INTERNAL SLEEVE



DESCRIPTION

The Internal Slide Sleeve (SL-IN) is designed for seamless duct connections, sliding internally into ventilation ducts to maintain a smooth airflow path.

KEY FEATURES

- 0.9mm galvanised steel construction
- Strong, durable, and corrosion-resistant.
- Maintains consistent airflow.
- Multiple sizes available
- Fire-safe sealing option

SPECIFICATION			DIMENSIONS (mm)		
CODE	SIZE	LENGTH	WIDTH	WIDTH	WIDTH
037	204x60	300	200	55	300
038	204x60	500	200	55	500
039	204x60	750	200	55	750
040	204x60	1000	200	55	1000
041	220x90	300	215	85	300
042	220x90	500	215	85	500
043	220x90	750	215	85	750
044	220x90	1000	215	85	1000

EXTERNAL SLEEVE



DESCRIPTION

The External Slide Sleeve (SL-EX) is designed for quick and efficient duct connections, sliding externally over ventilation ducts to create a secure and stable fit.

KEY FEATURES

- 0.9mm galvanised steel construction
- Strong, durable, and corrosion-resistant.
- Maintains consistent airflow.
- Multiple sizes available
- Fire-safe sealing option

SPECIFICATION			DIMENSIONS (mm)		
CODE	SIZE	LENGTH	WIDTH	WIDTH	WIDTH
045	204x60	300	207	63	300
046	204x60	500	207	63	500
047	204x60	750	207	63	750
048	204x60	1000	207	63	1000
049	220x90	300	223	93	300
050	220x90	500	223	93	500
051	220x90	750	223	93	750
052	220x90	1000	223	93	1000

JOINT



DESCRIPTION

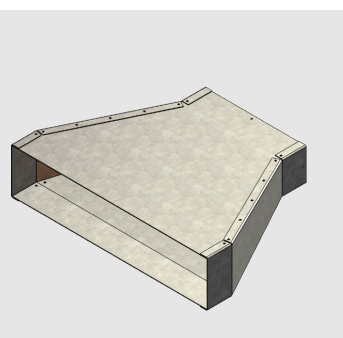
The Cavity Shield Ducting Joint is designed to provide a secure and seamless connection between duct sections, ensuring airtight integration while maintaining structural integrity.

KEY FEATURES

- All joints slide externally
- 0.9mm galvanised steel construction
- Steel rivets used on assembly
- Optional fire safe mastic sealing
- Non-standard lengths available on request

DESCRIPTION			DIMENSIONS			
Code	Type	Size	Width	Height	Depth	Drop
033	90° Drop	204x90	223	67	150	150
034	90° Drop	220x90	223	93	150	150
035	Z' Drop	204x90	223	67	250	60
036	Z' Drop	220x90	223	93	250	90

STRAIGHT PLENUM



DESCRIPTION

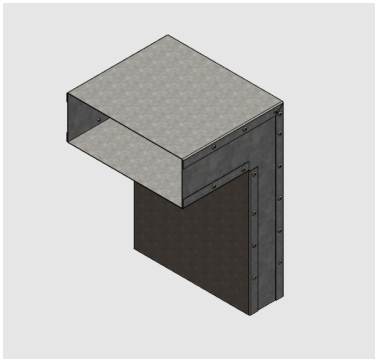
Designed for standard ductwork applications, ensuring a smooth and unrestricted airflow path.

KEY FEATURES

- Ideal for straight airflow applications
- Constructed from durable galvanised steel.
- Customizable dimensions available upon request.

CODE	DIMENSIONS
053	AVAILABLE ON REQUEST

PERISCOPE PLENUM



DESCRIPTION

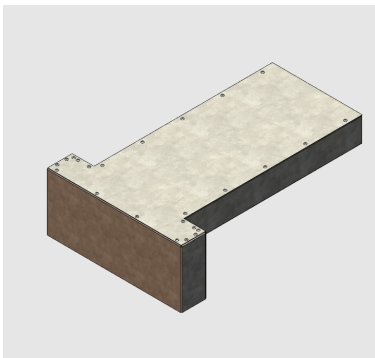
Designed for standard ductwork applications, ensuring a smooth and unrestricted airflow path.

KEY FEATURES

- Ideal for straight airflow applications
- Constructed from durable galvanised steel.
- Customizable dimensions available upon request.

CODE	DIMENSIONS
054	AVAILABLE ON REQUEST

HOOD PLENUM



DESCRIPTION

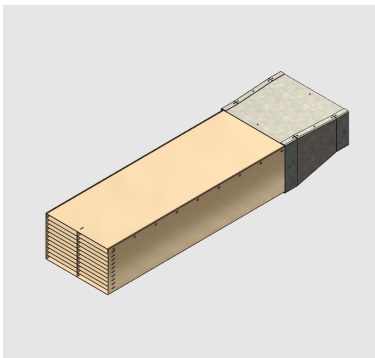
Hood Plenum is designed to distribute or collect air efficiently within ventilation systems. Commonly used in exhaust and intake applications, it ensures even airflow distribution and improved air quality, system performance.

KEY FEATURES

- Provides effective air distribution and collection.
- Suitable for exhaust and intake applications.
- Compatible with various duct systems.

CODE	DIMENSIONS
055	AVAILABLE ON REQUEST

GRILL/COMBI PLENUM



DESCRIPTION

The Grill/Combi Plenum is used to facilitate airflow through grills and diffusers, ensuring uniform air distribution in HVAC systems. Its precise design helps maintain air balance in commercial and industrial

KEY FEATURES

- Designed for seamless integration with grilles and diffusers.
- Enhances airflow balance and distribution.
- Available in various sizes to fit system requirements.

CODE	DIMENSIONS
056	AVAILABLE ON REQUEST

BESPOKE SOLUTIONS AVAILABLE ON REQUEST

A large, light red shield-shaped graphic with a white border. Inside the shield is a smaller red shield containing a white flame icon. The text 'CAVITY SHIELD' is written across the center in a large, bold, red, sans-serif font.

CAVITY SHIELD

Advanced Fire Rated Solutions for Building Wall Cavities. Ensuring your project is fit with the highest standards of fire protection.



<https://www.av-metals.co.uk>



AV Metals, Bradley Fold, Radcliffe,
Bolton BL2 6RT



01204 257007



sales@av-metals.co.uk